

SCO-2080

High Resolution Weatherproof Camera

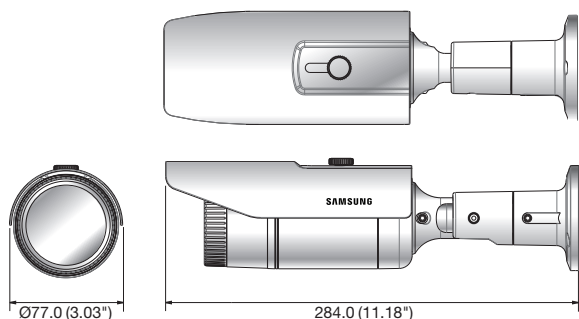


Key Features

- High resolution of 600TV lines (Color), 700TV lines (B/W)
- Min. illumination 0.15Lux@ F1.2 (Color), 0.001Lux (B/W)
- Built-in V/F lens (2.8 ~ 10mm)
- True Day & Night (ICR), MD, SSNRIII
- IP66, Coax : Pelco-C (Coaxitron), RS-485, Dual power

Dimensions

Unit : mm (inch)



Technical Specifications

| | SCO-2080N | SCO-2080P |
|----------------------------------|--|---|
| VIDEO | | |
| Imaging Device | 1/3" Super HAD CCD II | |
| Total Pixels | 811(H) x 508(V) | 795(H) x 596(V) |
| Effective Pixels | 768(H) x 494(V) | 752(H) x 582(V) |
| Scanning System | 2 : 1 Interlace | |
| Synchronization | Internal / Line lock | |
| Frequency | H : 15.734KHz / V : 59.94Hz | H : 15.625KHz / V : 50Hz |
| Horizontal Resolution | Color : 600TV lines, B/W : 700TV lines | |
| Min. Illumination | Color : 0.15Lux@F1.2 (50IRE), 0.0003Lux (Sens-up, 512x) B/W : 0.001Lux@F1.2 (50IRE), 0.000002Lux (Sens-up 512x) | |
| S / N Ratio | 52dB (AGC off, Weight on) | |
| Video Output | CVBS : 1.0 Vp-p / 75Ω composite | |
| LENS | | |
| Focal Length (Zoom Ratio) | 2.8 ~ 10mm (3.6x) | |
| Max. Aperture Ratio | 1 : 1.2(Wide) ~ 2.8(Tele) | |
| Angular Field of View | H : 94.4°(Wide) ~ 28°(Tele) / V : 69.2°(Wide) ~ 21°(Tele) | |
| Min. Object Distance | 0.2m (0.66ft) | |
| Focus Control | Manual | |
| Lens Type | DC auto iris | |
| OPERATIONAL | | |
| On Screen Display | English, Japanese, Spanish, French, Portuguese, Taiwanese, Korean | English, French, German, Spanish, Italian, Chinese, Russian, Polish, Czech, Romanian, Serbian, Swedish, Danish, Turkish, Portuguese |
| Camera Title | On / Off (Displayed 15 characters) | |
| Day & Night | Auto (ICR) / Color / B/W | |
| Backlight Compensation | Off / BLC / HLC | |
| Dynamic Range | SSDR (Off / On) | |
| Digital Noise Reduction | SSNRIII (Off / On) | |
| Digital Image Stabilization | Off / On | |
| Motion Detection | Off / On (8 programmable zones) | |
| Privacy Masking | Off / On (12 programmable zones) | |
| Sens-up (Frame Integration) | 2x ~ 512x | |
| Gain Control | Off / Low / High | |
| White Balance | ATW / Outdoor / Indoor / Manual / AWC (1,700K° ~ 11,000K°) | |
| Electronic Shutter Speed | 1/60 ~ 1/120,000sec | 1/50 ~ 1/120,000sec |
| Digital Zoom | Off / On (1x ~ 16x) | |
| Reverse | H-Rev (Off / On), V-Rev (Off / On) | |
| Communication | Coaxial control (SPC-300 compatible), RS-485 | |
| Protocol | Coax : Pelco-C (Coaxitron) RS-485 : Samsung-T/E, Pelco-D/P, Panasonic, Bosch, Honeywell, Vicon | |
| ENVIRONMENTAL | | |
| Operating Temperature / Humidity | -10°C ~ +50°C (+14°F ~ +122°F) / Less than 90% RH | |
| Ingress Protection | IP66 Grade | |
| ELECTRICAL | | |
| Input Voltage / Current | Dual (24V AC & 12V DC ±10%) | |
| Power Consumption | Max. 3.8W | |
| MECHANICAL | | |
| Color / Material | Dark gray / ALDC | |
| Dimensions (WxHxD) | Ø77.0 x 216.0mm (Ø3.03" x 8.5") (Bracket angle 90°), 284.0mm (11.18") (Bracket angle 180°) | |
| Weight | 955g (2.11 lb) | |

* The latest product information / specification can be found at www.samsungsecurity.com