

1080p over Coax

Samsung's 2nd Generation HD-SDI IR "One Body" Bullet Camera



SCO-6081R

1080p HD-SDI IR "One Body" Bullet Camera

- Full HD (1920 × 1080, 30fps) mega resolution, HD (1280 × 720, 60fps)
- Min. Illumination 0Lux (IR LED on)
- 2.8x (3 ~ 8.5mm) motorized V/F lens
- Samsung Simple Focus (Motorized varifocal lens with one touch focus)
- 100dB Wide Dynamic Range (WDR)
- True Day & Night (ICR), MD, IP66
- SSNRIII (3D+2D), RS-485, Coax, Dual power

The SCO-6081R is Samsung's HD-SDI Bullet Camera, IP66 rated, and featuring integrated IR illumination LEDs. The SCO-6081R is capable of delivering high definition video at up to 60 frames per second, with virtually zero lag, using the Serial Digital Interface (SDI) standard on conventional coaxial cable. This camera features Samsung Simple Focus, Samsung Super Dynamic Range (SSDR), and Samsung Super Noise Reduction (SSNRIII) technology, as well as a True Day Night infrared cut filter, and Wide Dynamic Range rated at 100dB.

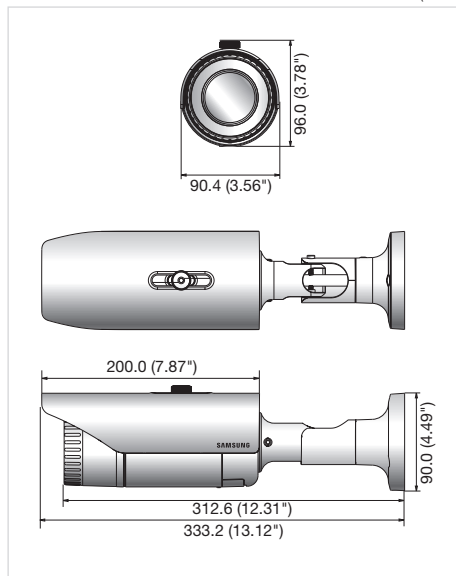


Specifications

SCO-6081RN/P	
VIDEO	
Imaging Device	1/3" Progressive scan CMOS
Total Pixels	2,010(H) x 1,108(V), 2.2M pixels
Effective Pixels	1,944(H) x 1,092(V), 2.1M pixels
Scanning System	Progressive
Min. Illumination	Color : 1Lux@F1.2, 0.015Lux (Sens-up, 60x) B/W : 0Lux (IR LED on)
S / N Ratio	50dB (AGC off, Weight on)
Video Output	SMPTE292M (HD-SDI)
LENS	
Focal Length (Zoom Ratio)	3 ~ 8.5mm (2.8x) motorized varifocal
Max. Aperture Ratio	F1.2
Angular Field of View	H : 105.5°(Wide) ~ 37.1°(Tele) / V : 57.5°(Wide) ~ 21.0°(Tele)
Min. Object Distance	0.5m (1.64ft)
Lens Type	DC auto iris
Mount Type	Board-in type
OPERATIONAL	
On Screen Display	English, Korean, French, German, Spanish, Italian, Chinese, Russian, Polish, Swedish, Danish, Portuguese, Japanese, Serbian, Czech, Romanian, Turkish
Camera Title	Off / On (Displayed up to 15 characters)
Day & Night	Auto (ICR) / External / Color / B/W
Backlight Compensation	Off / User BLC / HLC / WDR
Wide Dynamic Range	100dB
Contrast Enhancement	SSDR (Off / On)
Digital Noise Reduction	SSNR III (Off / On)
Digital Image Stabilization	Off / On
Motion Detection	Off / On
Privacy Masking	Off / On (4ea polygonal + 16ea rectangular zones)
Sens-up (Frame Integration)	2x ~ 60x
Gain Control	Off / Low / Medium / High
White Balance	ATW / Outdoor / Indoor / Manual / AWC (1,700°K ~ 11,000°K)
Electronic Shutter Speed	ESC / A.FLK / Manual
Digital Zoom	Off / On (1x ~ 16x)
Reverse	Off / H-Rev / V-Rev / HV-Rev
Profile	Built-in
PIP	Off / On
Intelligent Video Analytics	Tampering, Virtual line, Enter/Exit, Appear / Disappear
Alarm	(MD) output 1, External D/N in 1
Remote Control Interface	RS-485
Protocol	RS-485 : Samsung-T/E, Pelco-D/P, Panasonic, Bosch, Honeywell, Vicon, AD, GE
IR Distance	30m (98.34ft, IR LED : 20ea)
ENVIRONMENTAL	
Operating Temperature / Humidity	-10°C ~ +55°C (+14°F ~ +131°F) / Less than 90% RH
Ingress Protection	IP66 grade
ELECTRICAL	
Input Voltage / Current	Dual (24V AC & 12V DC ±10%)
Power Consumption	Max. 6W
MECHANICAL	
Color / Material	Dark gray / Aluminium
Dimensions (WxHxD)	90.4 x 96.0 x 333.2mm (3.56" x 3.78" x 13.12")
Weight	1.3Kg (2.87 lb)
TRANSMISSION DISTANCE	
5C2V (75ohm)	Max. 100 ~ 140m
L-6CHD (75ohm)	Max. 200m

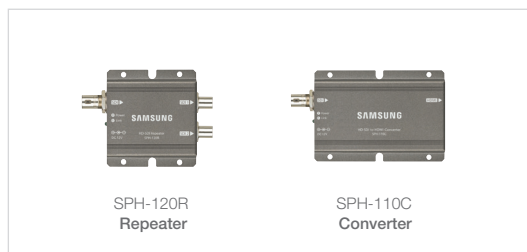
Dimensions

Unit : mm (inch)



The Eco mark represents Samsung Techwin's will to create environment-friendly products, and indicates that the product satisfies the EU RoHS Directive.

HD CCTV Kit



Applicable Model



Design and specifications are subject to change without notice.

■ DISTRIBUTED BY

SAMSUNG TECHWIN AMERICA Inc.
 100 Challenger Rd. Suite 700 Ridgefield Park, NJ 07660
 Toll Free : +1-877-213-1222 Direct : +1-201-325-6920
 Fax : +1-201-373-0124



SAMSUNG TECHWIN