

SCP-3120/3120V/3120VH



1/4" 12x High Resolution WDR Mini PTZ
Dome Camera



SCP-3120

SCP-3120V

SCP-3120VH



Key Features

- High resolution of 600TV lines (Color), 700TV lines (B/W)
- Min. illumination 0.7Lux@F1.65 (Color), 0.07Lux (B/W)
- Powerful 12x zoom (3.6 ~ 44.3mm), Digital 16x
- WDR, VPS, True Day / Night (ICR), Intelligent video, MD, DNR (3D+2D)
- IP66 : SCP-3120V/3120VH, Coaxial control (CCVC), RS-485, 24V AC

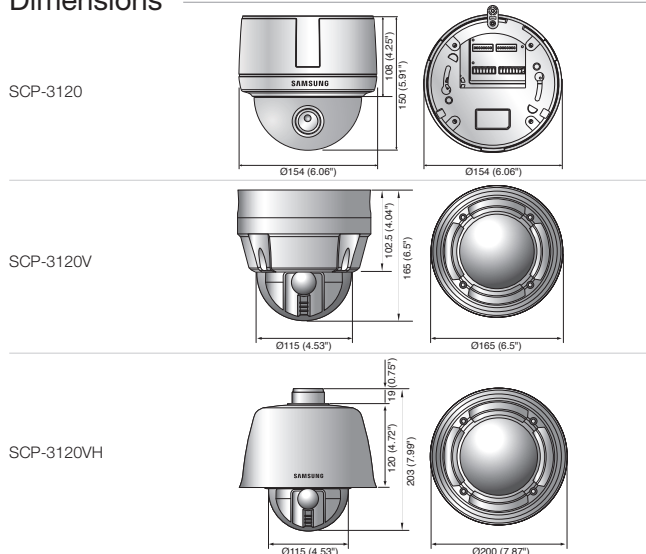
Accessories (Optional)



Not for
"VH" model

Dimensions

Unit : mm (inch)



Technical Specifications

| | SCP-3120N/3120VN/3120VHN | SCP-3120P/3120VP/3120VHP |
|----------------------------------|---|--|
| VIDEO | | |
| Imaging Device | 1/4" Ex-view HAD CCD (Double scan) | |
| Total Pixels | 811(H) x 508(V) | 795(H) x 596(V) |
| Effective Pixels | 768(H) x 494(V) | 752(H) x 582(V) |
| Scanning System | 2 : 1 Interlace | |
| Synchronization | Internal / Line lock | |
| Frequency | H : 15.734KHz / V : 59.94Hz | H : 15.625KHz / V : 50Hz |
| Horizontal Resolution | Color : 600TV lines, B/W : 700TV lines | |
| Min. Illumination | Color : 0.7Lux@F1.65 (50IRE), 0.001Lux (Sens-up, 512x) B/W : 0.07Lux@F1.65 (50IRE), 0.0001Lux (Sens-up, 512x) | |
| S / N Ratio | 52dB (AGC off, Weight on) | |
| Video Output | CVBS : 1.0 Vp-p / 75Ω composite | |
| LENS | | |
| Focal Length (Zoom Ratio) | 3.6 ~ 44.3mm (Optical 12x) | |
| Max. Aperture Ratio | 1 : 1.65(Wide) ~ 2.01(Tele) | |
| Angular Field of View | H : 54.44°(Wide) ~ 4.64°(Tele) / V : 41.42°(Wide) ~ 3.52°(Tele) | |
| Min. Object Distance | 1m (3.28ft) | |
| Focus Control | Auto / Manual / One shot | |
| Zoom Movement Speed | 1.9sec | |
| PAN / TILT | | |
| Pan Range | 360° Endless | |
| Pan Speed | Preset : 650°/sec, Manual : 0.05°/sec ~ 120°/sec (Proportional zoom ratio) | |
| Tilt Range | -5° ~ 185° | |
| Tilt Speed | Preset : 650°/sec, Manual : 0.05°/sec ~ 120°/sec (Proportional zoom ratio) | |
| Preset | 255 | |
| Preset Accuracy | ±0.1° | |
| OPERATIONAL | | |
| On Screen Display | English, French, Spanish, Italian, German, Portuguese, Korean | English, French, Spanish, German, Italian, Chinese, Portuguese |
| Camera Title | Off / On (Displayed 12 characters) | |
| Day & Night | Off / Auto / B/W | |
| Backlight Compensation | BLC / WDR / Off | |
| Wide Dynamic Range | 128x (52dB) | 160x (52dB) |
| Contrast Enhancement | XDR (Off / Low / Mid / High) | |
| Digital Noise Reduction | Adaptive 3D+2D (Off / Low / Mid / High / User) | |
| Digital Image Stabilization | Off / On | |
| Motion Detection | Off / Tracking / Detection | |
| Privacy Masking | Off / On (12 programmable zones with polygonal masking) | |
| Sens-up (Frame Integration) | 2x ~ 512x | |
| Gain Control | Off / Low / Medium / High / Manual | |
| White Balance | ATW (In) / ATW (Out) / AWC / Manual | |
| Electronic Shutter Speed | 1/60 ~ 1/10,000sec | 1/50 ~ 1/10,000sec |
| Digital Zoom | Off / On (1x ~ 16x) | |
| Digital Flip | Off / On | |
| VPS | Off / On | |
| Intelligent Video | Fixed / Moved | |
| Schedule | Day / Time | |
| Alarm | 2 In 2 Out | |
| Communication | Coaxial control, RS-485 | |
| Protocol | Coax : CCVC RS-485 : Samsung-T/E, Pelco-D/P, Panasonic, Bosch, Honeywell, Vicon, AD, GE | |
| ENVIRONMENTAL | | |
| Operating Temperature / Humidity | -10°C ~ +50°C (+14°F ~ +122°F) / Less than 90% RH : SCP-3120 -50°C ~ +50°C (-58°F ~ +122°F) / Up to 100% RH : SCP-3120V/3120VH | |
| Ingress Protection | IP66 : SCP-3120V/3120VH | |
| ELECTRICAL | | |
| Input Voltage | 24V AC ±10% | |
| Power Consumption | Max. 12W : SCP-3120, Max. 12W / 45W (Fan & heater on) : SCP-3120V/3120VH | |
| MECHANICAL | | |
| Color / Material | Ivory / Plastic (Dome cover : Clear) : SCP-3120 Ivory / Aluminum, Plastic (Dome cover : Clear) : SCP-3120V/3120VH | |
| Dimensions (WxH) | Ø154.0 x 150.0mm (Ø6.06" x 5.91") : SCP-3120, Ø165.0 x 165.0mm (Ø6.5" x 6.5") : SCP-3120V Ø200.0 x 203.0mm (Ø7.87" x 7.99") : SCP-3120VH | |
| Weight | 1Kg (2.2 lb) : SCP-3120, 1.8Kg (3.97 lb) : SCP-3120V, 2.4Kg (5.29 lb) : SCP-3120VH | |