

SCV-6081R

1080p over Coax Samsung's 2nd Generation HD-SDI IR Dome Camera



SCV-6081R

1080p HD-SDI IR Vandal-Resistant Dome Camera

- Full HD (1920 × 1080, 30fps) mega resolution, HD (1280 × 720, 60fps)
- Min. Illumination 0Lux (IR LED on)
- 2.8x (3 ~ 8.5mm) motorized V/F lens
- Samsung Simple Focus (Motorized varifocal lens with one touch focus)
- 100dB Wide Dynamic Range (WDR)
- True Day & Night (ICR), MD, IP66
- SSNR III (3D+2D), RS-485, Coax, Dual power

The SCV-6081R is Samsung's 2nd generation HD-SDI Dome Camera, now IP66 rated, and featuring integrated IR illumination LEDs. The SCV-6081R is capable of delivering high definition video at up to 60 frames per second, with virtually zero lag, using the Serial Digital Interface (SDI) standard on conventional coaxial cable. This camera features Samsung Simple Focus, Samsung Super Dynamic Range (SSDR), and Samsung Super Noise Reduction (SSNR III) technology, as well as a True Day Night infrared cut filter, and Wide Dynamic Range rated at 100dB.

SCV-6081R

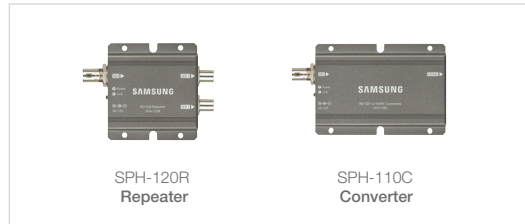


Specifications

| SCV-6081RN/P | |
|----------------------------------|---|
| VIDEO | |
| Imaging Device | 1/3" Progressive scan CMOS |
| Total Pixels | 2,010(H) x 1,108(V), 2.2M pixels |
| Effective Pixels | 1,944(H) x 1,092(V), 2.1M pixels |
| Scanning System | Progressive |
| Min. Illumination | Color : 1Lux@F1.2, 0.015Lux (Sens-up, 60x) B/W : 0Lux (IR LED on) |
| S / N Ratio | 50dB (AGC off, Weight on) |
| Video Output | SMPTE292M (HD-SDI) |
| LENS | |
| Focal Length (Zoom Ratio) | 3 ~ 8.5mm (2.8x) motorized varifocal |
| Max. Aperture Ratio | F1.2 |
| Angular Field of View | H : 105.5°(Wide) ~ 37.1°(Tele) / V : 57.5°(Wide) ~ 21.0°(Tele) |
| Min. Object Distance | 0.5m (1.64ft) |
| Lens Type | DC auto iris |
| Mount Type | Board-in type |
| PAN / TILT / ROTATE | |
| Pan / Tilt / Rotate Range | 0° ~ 354° / 0° ~ 67° / 0° ~ 355° |
| OPERATIONAL | |
| On Screen Display | English, Korean, French, German, Spanish, Italian, Chinese, Russian, Polish, Swedish, Danish, Portuguese, Japanese, Serbian, Czech, Romanian, Turkish |
| Camera Title | Off / On (Displayed up to 15 characters) |
| Day & Night | Auto (ICR) / External / Color / B/W |
| Backlight Compensation | Off / User BLC / HLC / WDR |
| Wide Dynamic Range | 100dB |
| Contrast Enhancement | SSDR (Off / On) |
| Digital Noise Reduction | SSNR III (Off / On) |
| Digital Image Stabilization | Off / On |
| Motion Detection | Off / On |
| Privacy Masking | Off / On (4ea polygonal + 16ea rectangular zones) |
| Sens-up (Frame Integration) | Off / Auto (2x ~ 60x) |
| Gain Control | Off / Low / Medium / High |
| White Balance | ATW / Outdoor / Indoor / Manual / AWC (1,700°K ~ 11,000°K) |
| Electronic Shutter Speed | ESC / A.FLK / Manual |
| Digital Zoom | Off / On (1x ~ 16x) |
| Reverse | Off / H-Rev / V-Rev / HV-Rev |
| Profile | Built-in |
| PIP | Off / On |
| Intelligent Video Analytics | Tampering, Virtual line, Enter/Exit, Appear / Disappear |
| Alarm | (MD) output 1, External D/N in 1 |
| Remote Control Interface | RS-485 |
| Protocol | RS-485 : Samsung-T/E, Pelco-D/P, Panasonic, Bosch, Honeywell, Vicon, AD, GE |
| IR Distance | 15m (49.21ft, IR LED : 12ea) |
| ENVIRONMENTAL | |
| Operating Temperature / Humidity | -10°C ~ +55°C (+14°F ~ +131°F) / Less than 90% RH |
| Ingress Protection | IP66 grade |
| ELECTRICAL | |
| Input Voltage / Current | Dual (24V AC & 12V DC ±10%) |
| Power Consumption | Max. 6W |
| MECHANICAL | |
| Color / Material | Ivory / Aluminum |
| Dimensions (WxH) | Ø160.0 x 118.5mm (Ø6.3" x 4.67") |
| Weight | 960g (2.12 lb) |
| TRANSMISSION DISTANCE | |
| 5C2V (75ohm) | Max. 100 ~ 140m |
| L-6CHD (75ohm) | Max. 200m |

* This transmission distance is theoretically calculated number, and real transmission distance can be affected by installation environment.

HD CCTV Kit



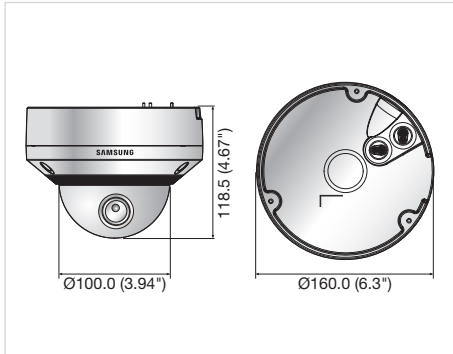
Applicable Model



Design and specifications are subject to change without notice.

Dimensions

Unit : mm (inch)



Accessory (Optional)



The Eco mark represents Samsung Techwin's will to create environment-friendly products, and indicates that the product satisfies the EU RoHS Directive.

■ DISTRIBUTED BY

SAMSUNG TECHWIN AMERICA Inc.

100 Challenger Rd. Suite 700 Ridgefield Park, NJ 07660
Toll Free : +1-877-213-1222 Direct : +1-201-325-6920
Fax : +1-201-373-0124



SAMSUNG TECHWIN