

SNV-5010

1.3Megapixel HD Vandal-Resistant
Network Flat Camera

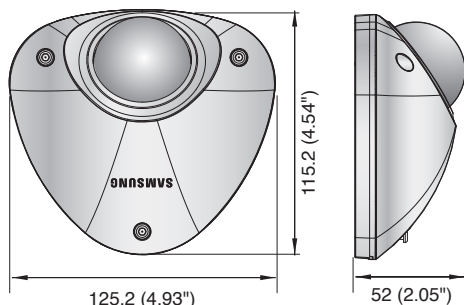


Key Features

- Max. 1.3M (1280 x 1024) resolution
- 16 : 9 HD (720p) resolution support
- Built-in 3mm fixed lens
- H.264, MPEG-4, MJPEG multiple codec
- PoE, IP66

Dimensions

Unit : mm (inch)



Technical Specifications

SNV-5010N/P

VIDEO	
Imaging Device	1/3" 1.3M PS CMOS
Total Pixels	1,384(H) x 1,076(V)
Effective Pixels	1,329(H) x 1,049(V)
Scanning System	Progressive
Min. Illumination	Color : 1Lux (F1.8, 50IRE), 0.016Lux (Sens-up 60x)
S / N Ratio	50dB
Video Output	DIP connector, 704 x 480(N), 704 x 576(P), for installation
LENS	
Focal Length (Zoom Ratio)	3mm
Max. Aperture Ratio	F1.8
Angular Field of View	H : 91.2°, V : 72.3°
Lens Type	Fixed iris
Mount Type	Board-in type
PAN / TILT / ROTATE	
Pan Range	-10° ~ 10°
Tilt Range	0° ~ 90°
OPERATIONAL	
Camera Title	Off / On (Displayed up to 15 characters)
Backlight Compensation	Off / BLC / HLC
Contrast Enhancement	SSDR (Samsung Super Dynamic Range) (Off / On)
Digital Noise Reduction	SSNR III (2D+3D noise filter) (Off / On)
Motion Detection	Off / On (4 programmable zones)
Privacy Masking	Off / On (12 programmable zones)
Sens-up (Frame Integration)	Off / Auto (2x ~ 60x)
Gain Control	Off / Low / Medium / High / Manual
White Balance	ATW / AWC / Manual / Indoor / Outdoor
Electronic Shutter Speed	Auto / A.FLK / Manual (1/30 ~ 30,000sec)
Flip / Mirror	Off / On
Intelligent Video Analytics	Scene change, Virtual line, Enter / Exit, Appear / Disappear
NETWORK	
Ethernet	RJ-45 (10/100BASE-T)
Video Compression Format	H.264, MPEG-4, MJPEG
Resolution	1280 x 1024, 1280 x 720P (HD), 1024 x 768, 800 x 600, 640 x 480, 320 x 240
Max. Framerate	22fps (1280 x 1024), 30fps (720P HD)
Video Quality Adjustment	H.264, MPEG-4 : Compression level, Target bitrate level control MJPEG : Quality level control
Bitrate Control Method	H.264, MPEG-4 : CBR or VBR, MJPEG : VBR
Streaming Capability	Multiple streaming (Up to 10 profiles)
IP	IPv4, IPv6
Protocol	TCP/IP, UDP/IP, RTP(UDP), RTP(TCP), RTSP, NTP, HTTP, HTTPS, SSL, DHCP, PPPoE FTP, SMTP, ICMP, IGMP, SNMPv1/v2c/v3(MIB-2), ARP, DNS, DDNS, ONVIF
Security	HTTPS(SSL) login authentication, Digest login authentication IP address filtering, User access log
Streaming Method	Unicast / Multicast
Max. User Access	10 users at unicast mode
ONVIF Conformance	Yes
Webpage Language	English, French, German, Spanish, Italian, Chinese, Korean, Russian, Japanese, Swedish, Danish, Portuguese, Turkish, Polish, Czech, Rumanian, Serbian, Dutch, Croatian, Hungarian, Greek
Web Viewer	Supported OS : Windows XP / VISTA / 7, MAC OS Supported Browser : Internet Explorer 6.0 or Higher, Firefox, Google Chrome, Apple Safari
Central Management Software	NET-i viewer
ENVIRONMENTAL	
Operating Temperature / Humidity	-10°C ~ +50°C (-14°F ~ +122°F) / Less than 90% RH
Ingress Protection	IP66 Grade (Waterproof)
ELECTRICAL	
Input Voltage	12V DC, PoE (IEEE802.3af)
Power Consumption	Max. 6W
MECHANICAL	
Color / Material	Ivory / Aluminum
Dimensions (WxHxD)	125.2 x 52.0 x 115.2mm (4.93" x 2.05" x 4.54")
Weight	435g (0.96 lb)