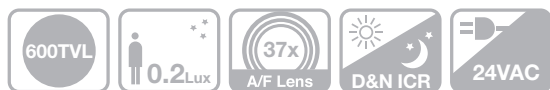


# SCU-2370

## High Resolution 37x Weatherproof Positioning System

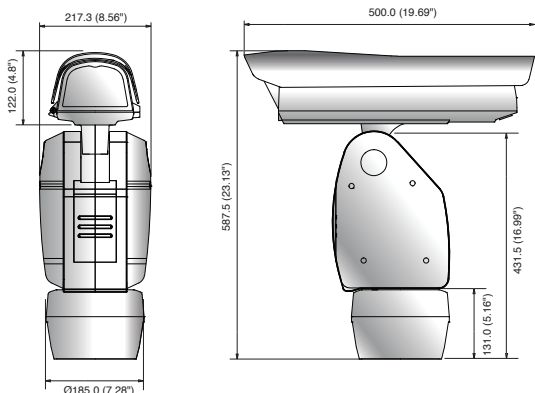


### Key Features

- High resolution of 600TV lines (Color), 700TV lines (B/W)
- Min. illumination 0.2Lux@F1.6 (Color), 0.02Lux (B/W)
- Powerful 37x zoom (3.5 ~ 129.5mm), Digital 16x
- True Day & Night (ICR), MD, SSNRIII
- IP66, Coax : Pelco-C (Coaxitron), RS-485, 24V AC

### Dimensions

Unit : mm (inch)



### Accessories (Optional)



SBU-500WM



SBU-220PM

### Technical Specifications

	SCU-2370N	SCU-2370P
<b>VIDEO</b>		
Imaging Device	1/4" Super HAD CCD II	
Total Pixels	811(H) x 508(V)	795(H) x 596(V)
Effective Pixels	768(H) x 494(V)	752(H) x 582(V)
Scanning System	2 : 1 Interlace	
Synchronization	Internal / Line lock	
Frequency	H : 15.734KHz / V : 59.94Hz	H : 15.625KHz / V : 50Hz
Horizontal Resolution	Color : 600TV lines, B/W : 700TV lines	
Min. Illumination	Color : 0.2Lux@F1.6 (50IRE), 0.0004Lux (Sens-up, 512x) B/W : 0.02Lux@F1.6 (50IRE), 0.00004Lux (Sens-up, 512x)	
S / N Ratio	52dB (AGC off, Weight on)	
Video Output	CVBS : 1.0 Vp-p / 75Ω composite	
<b>LENS</b>		
Focal Length (Zoom Ratio)	3.5 ~ 129.5mm (Optical 37x)	
Max. Aperture Ratio	1 : 1.6(Wide) ~ 3.9(Tele)	
Angular Field of View	H : 55.5°(Wide) ~ 1.59°(Tele) / V : 42.5°(Wide) ~ 1.19°(Tele)	
Min. Object Distance	1.5m	
Focus Control	Auto / Manual / One shot	
Zoom Movement Speed	2.8sec	
Lens Type	DC auto iris	
<b>PAN / TILT</b>		
Pan Range	360° Endless	
Pan Speed	Preset : 0.1° ~ 120°/sec, Manual : 0.1°/sec ~ 36°/sec (Turbo : 120°/sec)	
Tilt Range	-85° ~ 40°	
Tilt Speed	Preset : 0.1° ~ 36°/sec, Manual : 0.1°/sec ~ 36°/sec	
Preset	255	
Preset Accuracy	±0.1°	
<b>OPERATIONAL</b>		
On Screen Display	English, Chinese, French, German, Spanish, Italian, Portuguese	
Camera Title	Off / On (Displayed 12 characters)	
Day & Night	Color / B/W / Auto	
Backlight Compensation	Off / HLC / BLC	
Contrast Enhancement	SSDR (Off / On)	
Digital Noise Reduction	SSNRIII (Off / On)	
Digital Image Stabilization	Off / On	
Motion Detection	Off / On	
Privacy Masking	Off / On (8 area)	
Sens-up (Frame Integration)	2x ~ 512x	
Gain Control	Off / Low / Medium / High / Manual	
White Balance	ATW / Indoor / Outdoor / Manual / AWC	
Electronic Shutter Speed	Auto (1/60 ~ 1/120,000sec) / Manual / A.FLK   Auto (1/50 ~ 1/120,000sec) / Manual / A.FLK	
Digital Zoom	Off / On (2x ~ 16x)	
Schedule	Day / Time	
Alarm	3 In 2 Out 1 Aux (Option : Wiper pump)	
IR Illuminator (Optional)	On / On (1 ~ 60sec, 1 ~ 60min) / Off	
Communication	Coaxial control (SPC-300 compatible), RS-485	
Protocol	Coax : Pelco-C (Coaxitron) RS-485 : Samsung-T/E, Pelco-D/P, Panasonic, Bosch, Honeywell, Vicon, GE, AD	
<b>ENVIRONMENTAL</b>		
Operating Temperature / Humidity	-50°C ~ +50°C (-58°F ~ +122°F) / Less than 90% RH	
Ingress Protection	IP66 Grade	
<b>ELECTRICAL</b>		
Input Voltage / Current	24V AC ±10%	
Power Consumption	Max. 40W / 144W (Fan & heater on)	
<b>MECHANICAL</b>		
Color / Material	Ivory / Aluminum	
Dimensions (WxHxD)	217.3 x 587.5 x 500.0mm (8.56" x 23.13" x 19.69")	
Weight	17.5Kg (38.58 lb)	

\* The latest product information / specification can be found at [www.samsungsecurity.com](http://www.samsungsecurity.com)