

SNV-5084

The Wise Choice for Professionals



SNV-5084

1.3MP 720p HD Vandal-Resistant Network Dome Camera

- Max. 1.3M (1280 x 1024) resolution, 720p HD support
- 60fps@720p HD, Simple focus
- 3 ~ 8.5mm (2.8x) motorized varifocal lens
- Day & Night (ICR), Enhanced DIS, Defog
- WDR (130dB), SD/SDHC/SDXC memory slot
- Multi-crop streaming, IP66, IK10

The SNV-5084 vandal-resistant dome camera from Samsung Techwin's WiseNetIII network range features our most advanced technology with 1.3 megapixel 720p high definition images. Its high end functions include 130dB WDR, low light performance down to 0.05 lux (F1.2, 50IRE, color) creating clear images under low light conditions, and P-iris support which results in images with better contrast, clarity, resolution and depth of field. With enhanced features and new technologies which combat the challenges of tough environmental conditions the SNV-5084 meets the needs of the professional security market. Tested and rated to IP66/IK10, it can work effectively in environments prone to severe weather conditions as well as resisting physical attack.

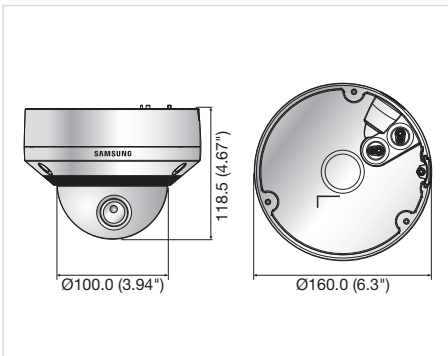
**Specifications**

| | SNV-5084N/P |
|----------------------------------|--|
| VIDEO | |
| Imaging Device | 1/3" 1.3M PS CMOS |
| Total Pixels | 1,384(H) x 1,076(V) |
| Effective Pixels | 1,329(H) x 1,049(V) |
| Scanning System | Progressive |
| Min. Illumination | Color : 0.05Lux (1/30sec, F1.2, 50IRE), 0.0008Lux (2sec, F1.2, 50IRE) B/W : 0.005Lux (1/30sec, F1.2, 50IRE) |
| S / N Ratio | 50dB |
| Video Output | CVBS : 1.0 Vp-p / 75Ω composite, 704 x 480(N), 704 x 576(P), for installation, DIP connector type |
| LENS | |
| Focal Length (Zoom Ratio) | 3 ~ 8.5mm (2.8x) motorized varifocal |
| Max. Aperture Ratio | F1.2 |
| Angular Field of View | H : 93.3°(Wide) ~ 33.2°(Tele) / V : 73.7°(Wide) ~ 26.6°(Tele) |
| Min. Object Distance | 0.5m (1.64ft) |
| Focus Control | Simple focus (Motorized V/F) / Manual Remote control via network, Button control (Manual, Simple focus) |
| Lens Type | DC auto iris |
| Mount Type | Board-in type |
| PAN / TILT / ROTATE | |
| Pan / Tilt / Rotate Range | 0° ~ 354° / 0° ~ 67° / 0° ~ 355° |
| OPERATIONAL | |
| Camera Title | Off / On (Displayed up to 40 characters) |
| Day & Night | Auto (ICR) / Color / B/W / External / Schedule |
| Backlight Compensation | Off / BLC |
| Wide Dynamic Range | 130dB† |
| Contrast Enhancement | SSDR (Samsung Super Dynamic Range) (Off / On) |
| Digital Noise Reduction | SSNR III (2D+3D noise filter) (Off / On) |
| Digital Image Stabilization | Off / On |
| Defog | Off / Auto / Manual |
| Motion Detection | Off / On (4ea 4points polygonal zones) |
| Privacy Masking | Off / On (32 zones with 4 points of polygonal) |
| Gain Control | Off / Low / Middle / High |
| White Balance | ATW / AWC / Manual / Indoor / Outdoor |
| Electronic Shutter Speed | Minimum / Maximum / Anti flicker (2 ~ 1/12,000sec) |
| Flip / Mirror | Off / On |
| Intelligent Video Analytics | Tampering, Virtual line, Enter/Exit, Appear / Disappear, Audio detection, Face detection |
| Alarm I/O | Input 1ea / Output 1ea |
| Alarm Triggers | Motion detection, Tempering, Audio detection, Face detection, Video analytics, Network disconnection, Alarm input |
| Alarm Events | File upload via FTP and E-mail, Notification via E-mail, TCP and HTTP Local storage (SD/SDHC/SDXC) recording at Network disconnected & Event (Alarm triggers), External output |
| NETWORK | |
| Ethernet | RJ-45 (10/100BASE-T) |
| Video Compression Format | H.264 (MPEG-4 part 10/AVC), MJPEG |
| Resolution | 1280 x 1024, 1280 x 720P (HD), 1024 x 768, 800 x 600, 640 x 480, 320 x 240 |
| Max. Framerate | H.264 : Max. 60fps at all resolutions MJPEG : 1280 x 1024, 1280 x 720, 1024 x 768 : Max. 15fps 800 x 600, 640 x 480, 320 x 240 : Max. 30fps |
| Video Quality Adjustment | H.264 : Compression level, Target bitrate level control, MJPEG : Quality level control |
| Bitrate Control Method | H.264 : CBR or VBR, MJPEG : VBR |
| Streaming Capability | Multiple streaming (Up to 10 profiles) |
| Audio In | Selectable (Mic in / Line in), Max output level : 1 Vrms |
| Audio Out | Supply voltage : 2.5V DC (4mA), Input impedance : approx. 2K Ohm Line out (3.5mm stereo mini jack) |
| Audio Compression Format | G.711 u-law / G.726 selectable, G.726 (ADPCM) 8KHz, G.711 8KHz G.726 : 16Kbps, 24Kbps, 32Kbps, 40Kbps |
| Audio Communication | Bi-directional audio |
| IP | IPv4, IPv6 |
| Protocol | TCP/IP, UDP/IP, RTP(UDP), RTP(TCP), RTCP, RTSP, NTP, HTTP, HTTPS, SSL, DHCP, PPPoE, FTP, SMTP, ICMP, IGMP, SNMPv1/v2c/v3(MIB-2), ARP, DNS, DDNS, QoS, PIM-SM, UPnP, Bonjour |
| Security | HTTPS(SSL) login authentication, Digest login authentication IP address filtering, User access log, 802.1x authentication |
| Streaming Method | Unicast / Multicast |
| Max. User Access | 15 users at unicast mode |
| Memory Slot | Micro SD/SDHC/SDXC |
| Application Programming Interfac | Motion images recorded in the SDXC/SDHC/SD memory card can be downloaded |
| Webpage Language | ONVIF Profile S & G, HTTP API v2.0, SNMP 1.2 |
| Web Viewer | English, French, German, Spanish, Italian, Chinese, Korean, Russian, Japanese, Swedish, Danish, Portuguese, Turkish, Polish, Czech, Rumanian, Serbian, Dutch, Croatian, Hungarian, Greek, Finnish, Norwegian |
| Central Management Software | SmartViewer 4.0 |
| ENVIRONMENTAL | |
| Operating Temperature / Humidity | -40°C ~ +55°C (+40°F ~ +131°F) / Less than 90% RH *Start up should be done at above -35°C |
| Storage Temperature / Humidity | -30°C ~ +60°C (-22°F ~ +140°F) / Less than 90% RH |
| Ingress Protection | IP66 grade |
| Vandal Resistance | IK10 |
| ELECTRICAL | |
| Input Voltage / Current | 12V DC, 24V AC, PoE (IEEE802.3af, Class3) |
| Power Consumption | Max. 12.95W (PoE - Heater on), Max. 14W (12V DC, 24V AC - Heater off) |
| MECHANICAL | |
| Color / Material | Ivory / Aluminum |
| Dimensions (WxH) | Ø160.0 x 118.5mm (Ø6.3" x 4.67") |
| Weight | 985g (2.17 lb) |

* Data recorded on an SD memory card may be lost or damaged by data access during power-off, mechanical shock, memory card detachment, or other operations. Data loss or damage can also occur when a memory card reaches end of life, which varies according to operational conditions. No guarantee is given against damage (including passive damage).

Dimensions

Unit : mm (inch)

**Accessory (Optional)**

The Eco mark represents Samsung Techwin's will to create environment-friendly products, and indicates that the product satisfies the EU RoHS Directive.

Design and specifications are subject to change without notice.

■ DISTRIBUTED BY

SAMSUNG TECHWIN CO., LTD. 701, Sampyeong-dong, Bundang-gu, Seongnam-si, Gyeonggi-do Korea 463-400
Tel : +82-70-7147-8741~8749, 8752~8760 Fax : +82-31-8018-3745 www.samsungsecurity.com www.samsungcctv.com

SAMSUNG TECHWIN AMERICA Inc.
100 Challenger Rd, Suite 700 Ridgfield Park, NJ 07660
Toll Free : +1-877-213-1222 Direct : +1-201-325-8920
Fax : +1-201-373-0124

SAMSUNG TECHWIN EUROPE LTD.
2st floor No.5, The Height, Brookland, Weybridge, Surrey, U.K.
KT13 0NY
Tel : +44-1932-82-6700 Fax : +44 1932 82 6701

SHANGHAI SAMSUNG TECHWIN CO., LTD.
32F, Bld B, International Business Center,
No. 391 Gulping Rd., Shanghai, China, 200233
Tel : +86-21-5427-1155 Fax : +86-21-5423-5122

**SAMSUNG TECHWIN**