

SRN-470D

4CH Network Video Recorder

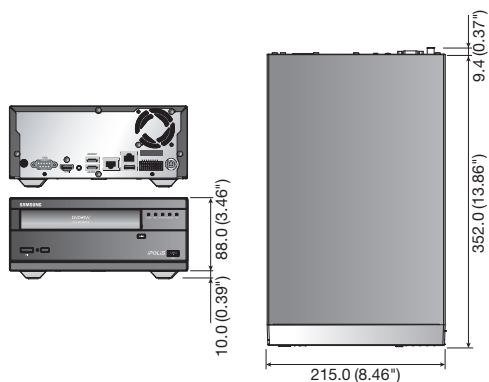


Key Features

- Full HD resolution support
- H.264, MPEG-4, MJPEG multiple codec
- 64Mbps recording bit rate
- Local monitor output : HDMI & VGA
- Built-in 1TB HDD
- DVD writer support

Dimensions

Unit : mm (inch)



Technical Specifications

		SRN-470D
DISPLAY		
N/W Camera	Inputs	Up to 4CH
	Resolution	VGA (640 x 480) / SVGA (800 x 600) / 4CIF (704 x 480) / 1.3M (1280 x 1024) / 2M (1920 x 1080) / 3M (2048 x 1536)
	Protocols	Samsung
Live	Multi Screen Display	1 / 4, Sequence
PERFORMANCE		
Operating System	Embedded	Linux
Recording	Compression	H.264, MPEG-4, MJPEG
	Recording Bit Rate	64Mbps
	Resolution	4CIF (704 x 480) / 1.3M (1280 x 1024) / 2M (1920 x 1080) / 3M (2048 x 1536)
	Mode	Manual, Schedule (Continuous / Event), Event (Pre / Post)
	Overwrite Modes	Selectable (Stop / Continuous)
	Pre-alarm	Up to 15sec (5, 10, 15sec) * 4CIF standard resolution
Search & Playback	Post-alarm	Up to 6hour (5, 10, 20, 30sec, 1, 3, 5, 10, 20min, 1, 2, 3, 4, 5, 6hour)
	Playback Speed	120fps (Up to 4CH)
Search & Playback	Resolution	4CIF (704 x 480) / 1.3M (1280 x 1024) / 2M (1920 x 1080) / 3M (2048 x 1536)
	Search Mode	Date/time, Event, Back up (*All search included preview function)
	Playback Function	Fast forward / backward, Slow forward / backward, Step forward / backward
Network	Ethernet	Gigabit Ethernet x 2
	Transmission Speed	Up to 48Mbps, Unlimited (48M) / 2 / 1.5 / 1Mbps / 800 / 600 / 500 / 400 / 300 / 200 / 100 / 50kbps
	Bandwidth Control	Automatic
	Max. Remote Users	Search 3 / Live unicast 10 / Live multicast 20
	Protocol Support	TCP/IP, DHCP, PPPoE, SMTP, NTP, HTTP, DDNS, RTP, RTSP
	Monitoring	NET-i viewer, Webviewer
Storage	Internal HDD	Up to 1 SATA HDD
	External (e-SATA Interface)	Up to 2 expansion bay (*Model : SVS-5R)
	DVD Writer (Back up)	Yes
	USB (Back up)	2 USB ports
	File Format (Back up)	BU (NVR player), EXE (Include player)
Security	Password Protection	1Admin, 10 Group, 20 User per 1 group, User can be assigned authority for function
	Data Authentication	Watermark
INTERFACE		
Monitors	VGA	Analogue RGB 1280 x 1024(60Hz) resolution
	HDMI	720p/1080p(60Hz) resolution
Audio	Inputs	N/A (Network audio support, up to 4CH)
	Output	RCA x 1
	Compression	G.711, G.723.1, G.726
Alarm	Inputs	Terminal 4 inputs, NO/NC
	Outputs	Terminal 2 relay outputs, NO/NC
	Remote Notification	Notification via e-mail
	Ethernet	2 RJ-45 10/100/1000 Base-T
Connections	USB	USB 2.0, 2 ports
	eSATA	2 ports
	Application Support	Mouse, Remote controller
Dome Protocols	Supported PTZ Cameras	Samsung network products (Network PTZ)
GENERAL		
Electrical	Input Voltage / Current	12V DC adaptor, 4A, 100 ~ 250V AC, 50/60Hz, 1.2A
	Power Consumption	Max. 36W (With 1x HDD)
Environmental	Operating Temperature	+0°C ~ +40°C (+32°F ~ +104°F)
	Operating Humidity	20% ~ 85% RH
Mechanical	Dimensions (WxHxD)	215.0 x 88.0 x 352.0mm (8.46" x 3.46" x 13.86")
	Weight (1x Hard Disks)	Approx. 3.7Kg (8.16 lb)
Language	Korean, Japanese, Chinese, English, French, German, Spanish, Italian, Russian, Polish, Czech, Turkish, Netherlands, Portuguese, Swedish, Danish, Thai, Rumania, Serbia, Croatia, Hungarian, Greek (22 Language)	

* The latest product information / specification can be found at www.samsungsecurity.com